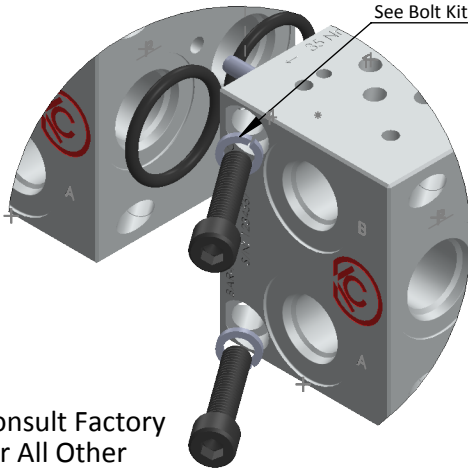
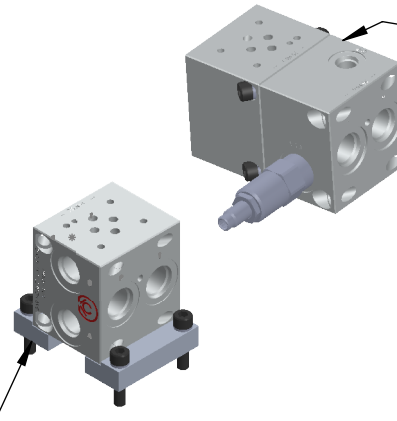
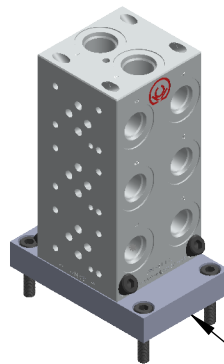


DETAIL A



Module Assembly Kit
EDKT-NG06-01-BA-C
See Bolt Kit Section for Details



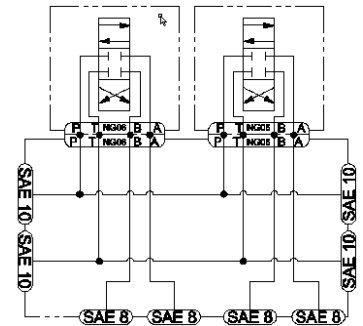
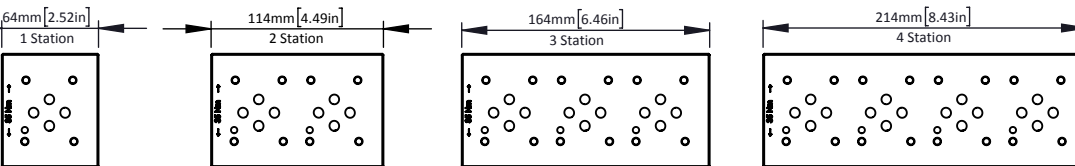
Relief, Unloading, Wide Spacing and Other Options
Modules Available See Module Section for Details

PATENT PENDING

ISOLATIONS:
Zero-Leak 22S-S10 Plugs can be installed between modules in the P and T to create ISOLATIONS as required.

Mounting Kits sold separately
See Mounting Kit Section

Consult Factory for All Other Dimensional Data



BAR-	NG06-	**-	A-	X-	**-	XX-	C
• Product Family BAR Manifold	• Interface - NG06 (D03) ISO 4401-03-02-0-0	• Number of Stations • 01 - 1 Station • 02 - 2 Station • 03 - 3 Station • 04 - 4 Station	• Port Type - A: SAE • P&T: SAE 10 • A&B: SAE 8	• Cavity - X: None • Available Upon Special Request	• Material • AA: Aluminum • 6061T6 • 210 BAR • DA: Ductile Iron • 654512 • 350 BAR	• Surface Finish XX: Bare Metal • Special Surface Finish Options Available Upon Special Request	• Design Variant C: Design C

BAR: Modular Bar Manifold

BAR: Modular Bar Manifold