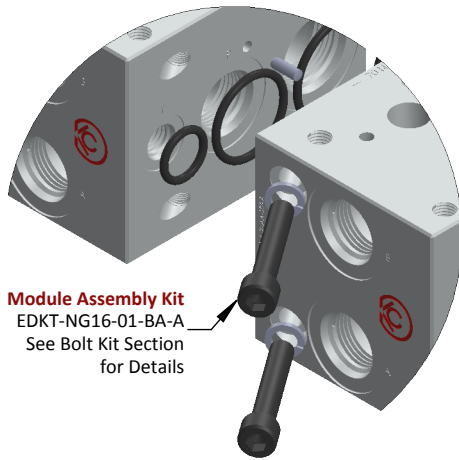
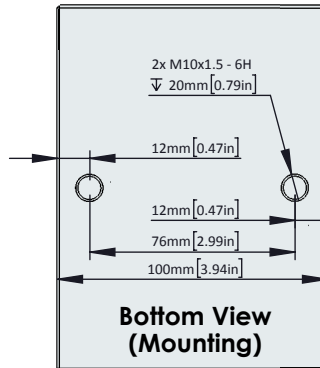
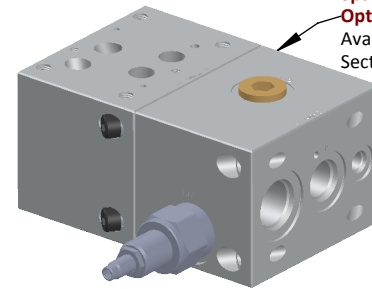


Mounting Kits sold separately See Mounting Kit Section

Relief, Unloading, Wide Spacing and Other Options Modules Available See Module Section for Details

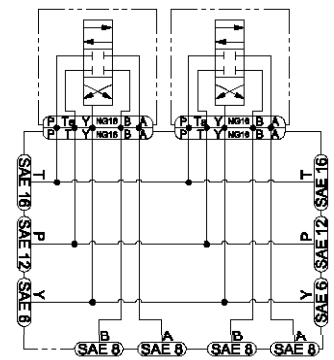


Module Assembly Kit EDKT-NG16-01-BA-A See Bolt Kit Section for Details

PATENT PENDING

Consult Factory for All Other Dimensional Data

ISOLATIONS: Zero-Leak 22S-S12 and 22S-S16 Plugs can be installed between modules in the P and T to create ISOLATIONS as required.



BAR-	NG25-	**	A-	X-	**	XX-	A
• Product Family- BAR Manifold	• Interface - NG25 (D08) 4401-08-08-0-05	• Number of Stations- 01 - 1 Station	• Port Type- A: SAE • P, A & B: SAE 16 • T: SAE 20 • X & Y: SAE 6	• Cavity - X: None • Available Upon Special Request	• Material • AA: Aluminum • 210 BAR • DA: Ductile Iron • 654512 • 350 BAR	• Surface Finish XX: Bare Metal • Special Surface Finish Options Available Upon Special Request	• Design Variant A: Design A

Subject to Change: CTLG-01-001A