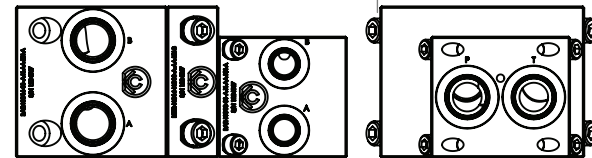
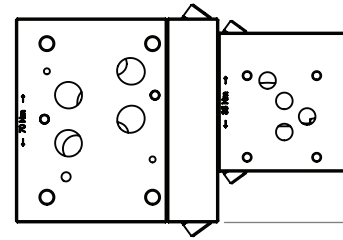
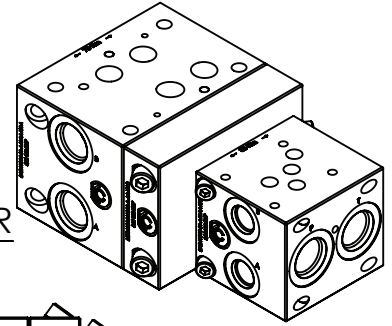
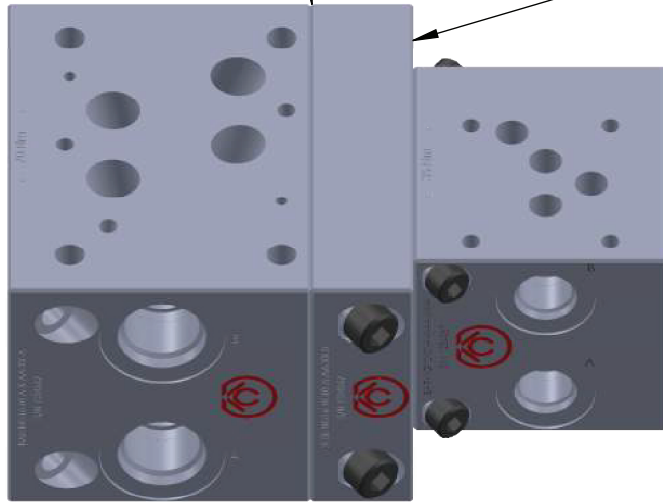


From: NG16 (D07) BAR

To: NG10 (D05) BAR



Consult Factory for All Other Dimensional Data

<p>BETR-</p> <ul style="list-style-type: none"> •Product Family- BAR End AdapTeR 	<p>NG16-</p> <ul style="list-style-type: none"> •"Though Bolt Side" End Interface - •NG16 (D07) 4401-07-07-0-05 	<p>NG10-</p> <ul style="list-style-type: none"> •"Tapped Bolt Side" End Interface - •NG10 (D05) 4401-05-04-0-05 	<p>A-</p> <ul style="list-style-type: none"> •Port Type- A: SAE •Type for SAE type modular manifolds 	<p>**-</p> <ul style="list-style-type: none"> •Material •AA: Aluminum <ul style="list-style-type: none"> •6061T6 •210 BAR •DA: Ductile Iron <ul style="list-style-type: none"> •654512 •350 BAR 	<p>XX-</p> <ul style="list-style-type: none"> •Surface Finish •XX: Bare Metal •Special Surface Finish Options Available Upon Special Request 	<p>A</p> <ul style="list-style-type: none"> •Design Variant A: Design A
---	---	---	--	---	---	---

Subject to Change: CTLG-01-001A

BETR: BAR End Adapter

BETR: BAR End Adapter