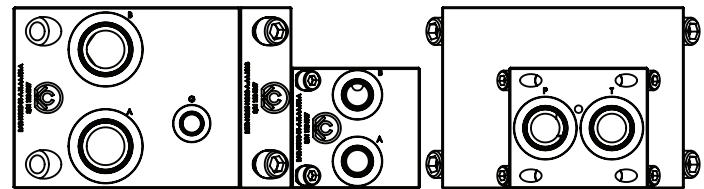
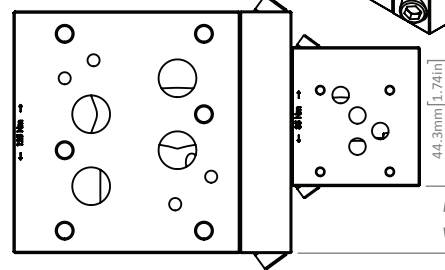
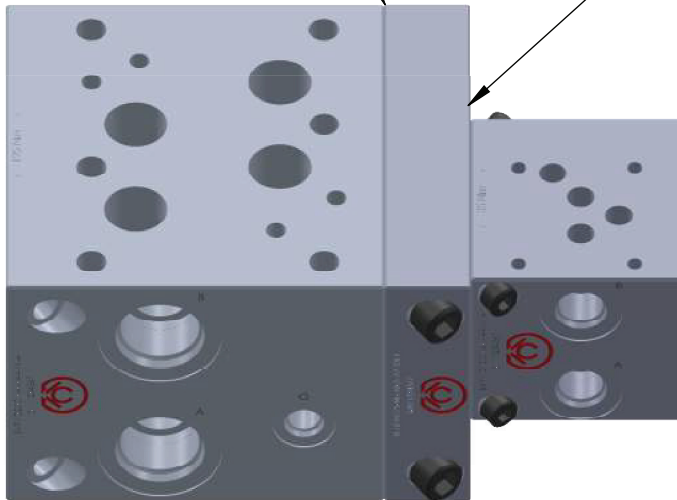
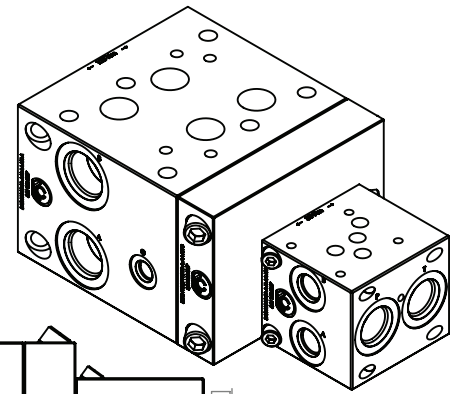


Consult Factory for All Other Dimensional Data

From: NG25 (D08) BAR

To: NG10 (D05) BAR



<b>BETR-</b>	<b>NG25-</b>	<b>NG10-</b>	<b>A-</b>	<b>**-</b>	<b>XX-</b>	<b>A</b>
•Product Family- <b>BAR End AdapTeR</b>	•"Tough Bolt Side" End Interface -  • <b>NG25 (D08)</b> 4401-08-08-0-05	•"Tapped Bolt Side" End Interface -  • <b>NG10 (D05)</b> 4401-05-04-0-05	•Port Type - <b>A:</b> SAE  •Type for SAE type modular manifolds	•Material • <b>AA:</b> Aluminum •6061T6 •210 BAR  • <b>DA:</b> Ductile Iron •654512 •350 BAR	•Surface Finish <b>XX:</b> Bare Metal  •Special Surface Finish Options Available Upon Special Request	•Design Variant  <b>A:</b> Design A

Subject to Change: CTLG-01-001A

BETR: BAR End Adapter

BETR: BAR End Adapter