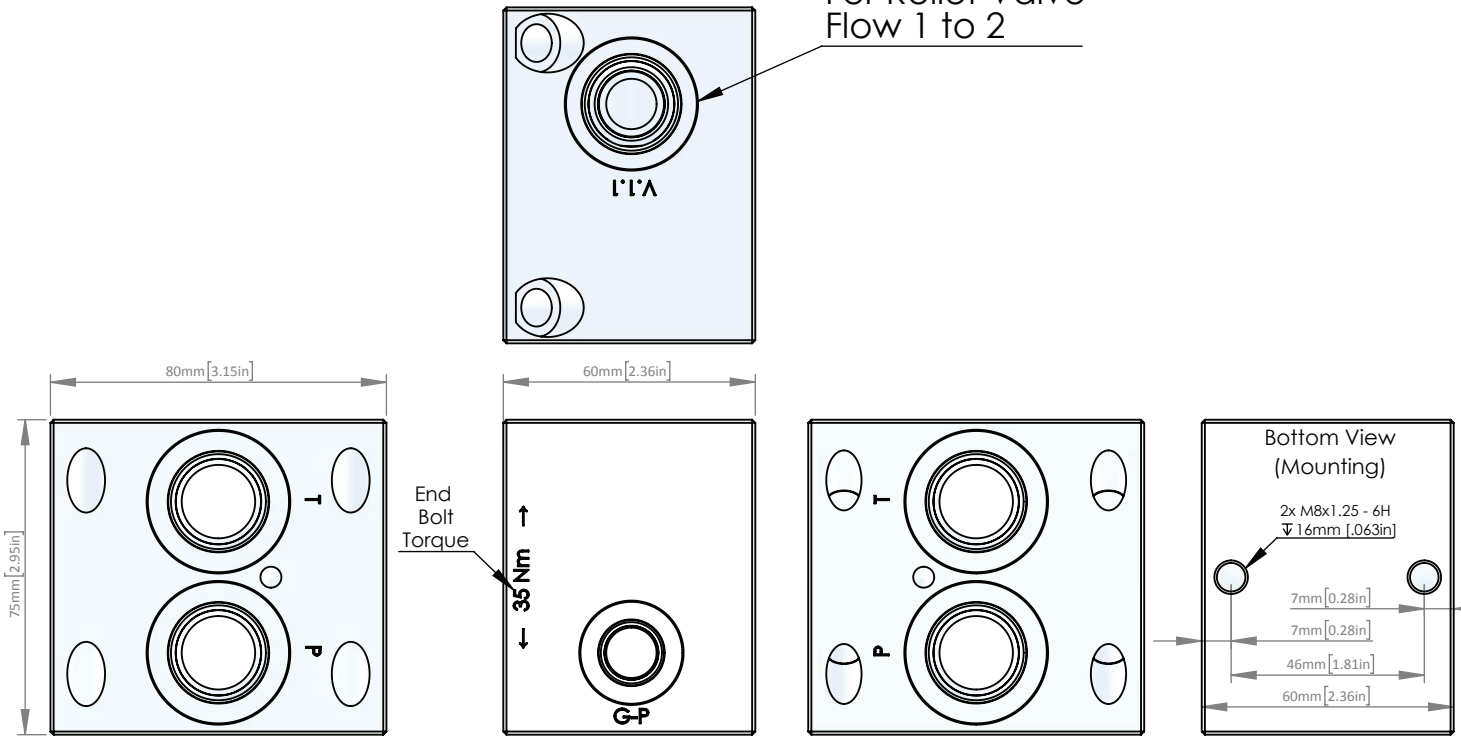
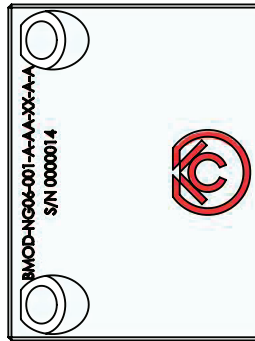




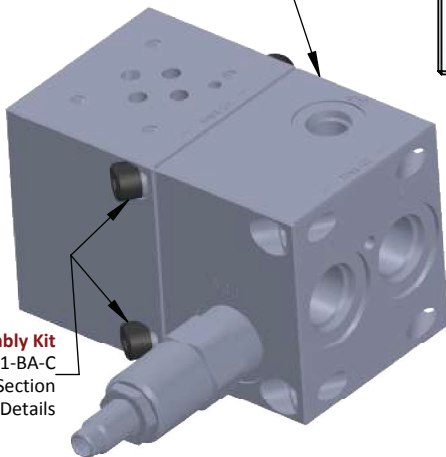
C10-2 Cavity
For Relief Valve
Flow 1 to 2



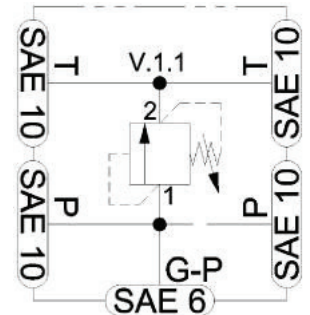
Module Compatible
with NG03 (C Desing)
BAR Manifold Series



Module Assembly Kit
EDKT-NG06-01-BA-C
See Bolt Kit Section
for Details



Consult Factory
for All Other
Dimensional Data



BMOD-	NG06-	001-	A-	**	XX-	A
<ul style="list-style-type: none"> Product Family- Bar Manifold MODule 	<ul style="list-style-type: none"> Interface - NG06 (D03) 4401-03-02-0-05 	<ul style="list-style-type: none"> Option • 001 C10-2 Relief 	<ul style="list-style-type: none"> Port Type- A: SAE To join SAE to SAE BAR manifolds 	<ul style="list-style-type: none"> Material • AA: Aluminum • 6061T6 • 210 BAR • DA: Ductile Iron • 654512 • 350 BAR 	<ul style="list-style-type: none"> Surface Finish XX: Bare Metal Special Surface Finish Options Available Upon Special Request 	<ul style="list-style-type: none"> Design Variant A: Design A

Subject to Change: CTLG-01-001A