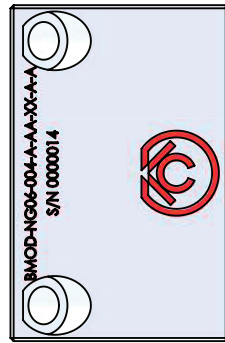
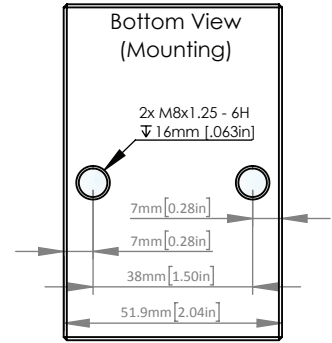
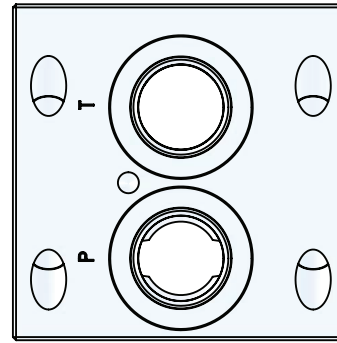
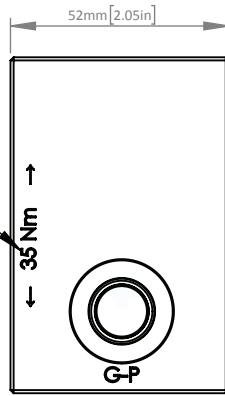
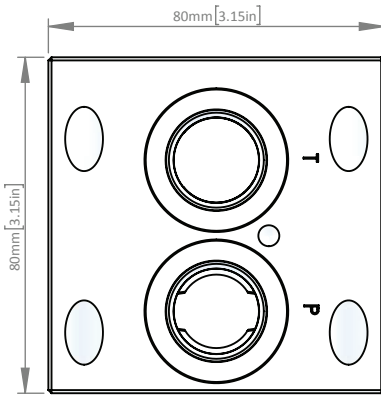
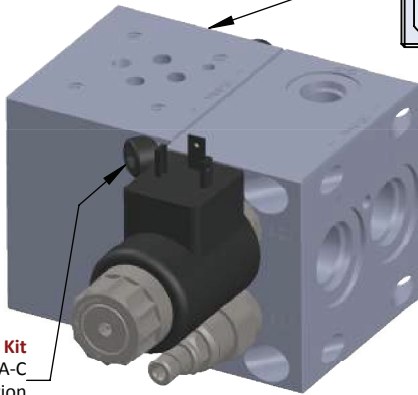


T-10A Cavity
For Relief Valve
Flow 1 to 2

T-13A Cavity
For Unloading Valve
Flow 1 to 2

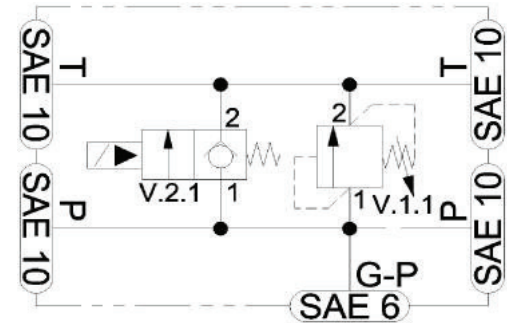


Module Compatible
with NG03 (C Desig)
BAR Manifold Series



Module Assembly Kit
EDKT-NG06-01-BA-C
See Bolt Kit Section
for Details

Consult Factory
for All Other
Dimensional Data



<p>BMOD-</p> <ul style="list-style-type: none"> Product Family- Bar Manifold MODule 	<p>NG06-</p> <ul style="list-style-type: none"> Interface - NG06 (D03) 4401-03-02-0-05 	<p>004-</p> <ul style="list-style-type: none"> Option 004 T-10A Relief T-13A Unloader 	<p>A-</p> <ul style="list-style-type: none"> Port Type- A: SAE To join SAE to SAE BAR manifolds 	<p>**-</p> <ul style="list-style-type: none"> Material AA: Aluminum 6061T6 210 BAR DA: Ductile Iron 654512 350 BAR 	<p>XX-</p> <ul style="list-style-type: none"> Surface Finish XX: Bare Metal Special Surface Finish Options Available Upon Special Request 	<p>A</p> <ul style="list-style-type: none"> Design Variant A: Design A
---	--	---	--	--	--	--

Subject to Change: CTLG-01-001A

BMOD: BAR Module

BMOD: BAR Module