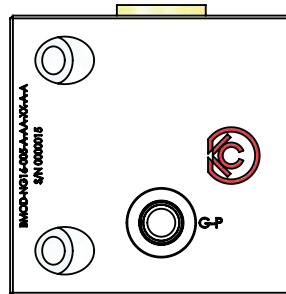
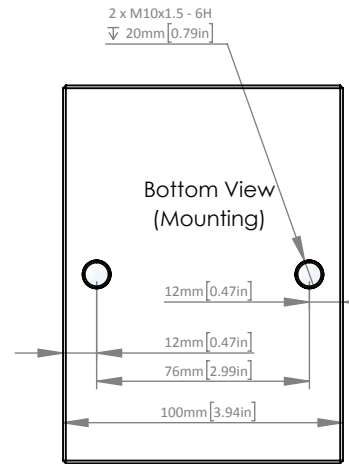
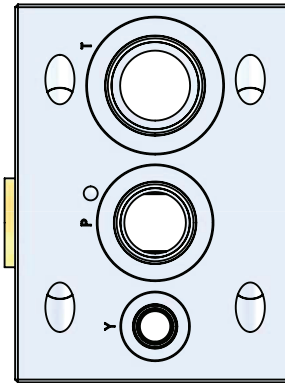
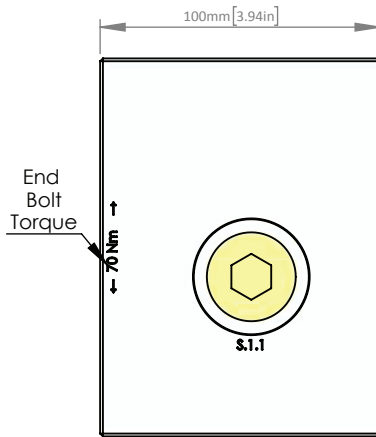
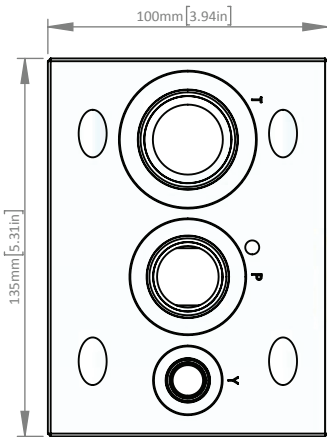
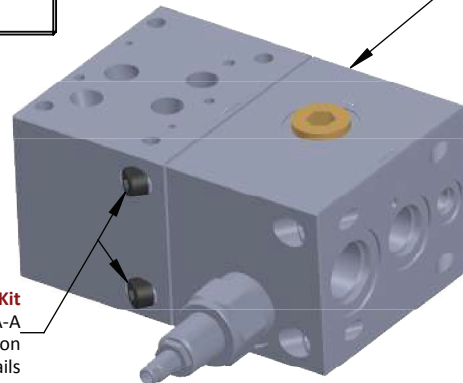


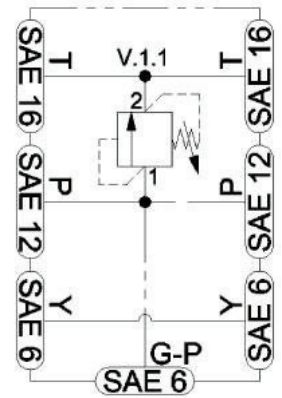
C16-2 Cavity
For Relief Valve
Flow 1 to 2



Module Compatible
with NG16 (A Desing)
BAR Manifold Series



Module Assembly Kit
EDKT-NG16-01-BA-A
See Bolt Kit Section
for Details



Consult Factory
for All Other
Dimensional Data

BMOD-	NG16-	005-	A-	**-	XX-	A
<ul style="list-style-type: none"> Product Family- Bar Manifold MODule 	<ul style="list-style-type: none"> Interface - NG16 (D07) 4401-07-07-0-05 	<ul style="list-style-type: none"> Option 005 C16-2 Relief 	<ul style="list-style-type: none"> Port Type- A: SAE To join SAE to SAE BAR manifolds 	<ul style="list-style-type: none"> Material AA: Aluminum • 6061T6 • 210 BAR DA: Ductile Iron • 654512 • 350 BAR 	<ul style="list-style-type: none"> Surface Finish XX: Bare Metal Special Surface Finish Options Available Upon Special Request 	<ul style="list-style-type: none"> Design Variant A: Design A

Subject to Change: CTIG-01-001A

BMOD: BAR Module

BMOD: BAR Module