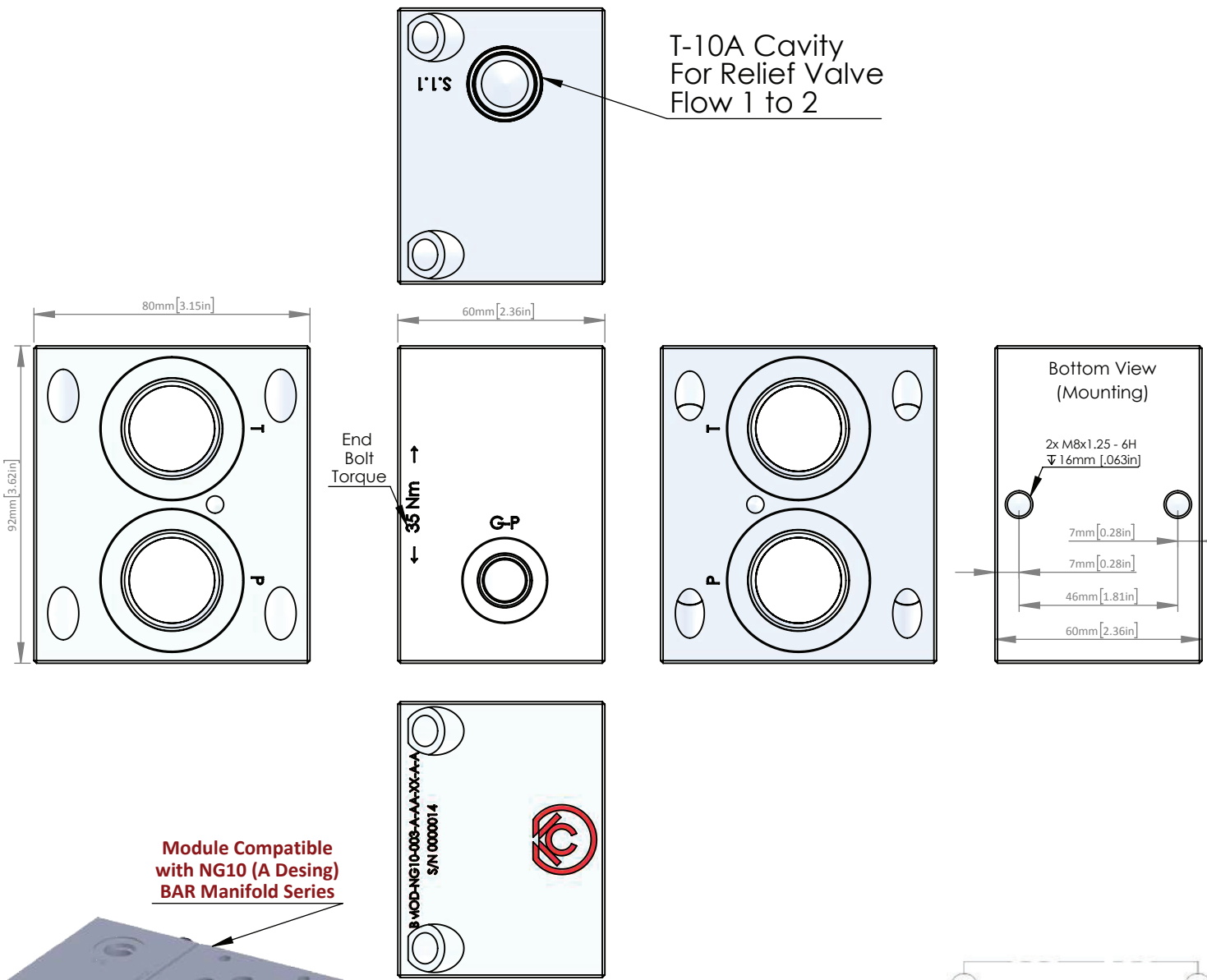




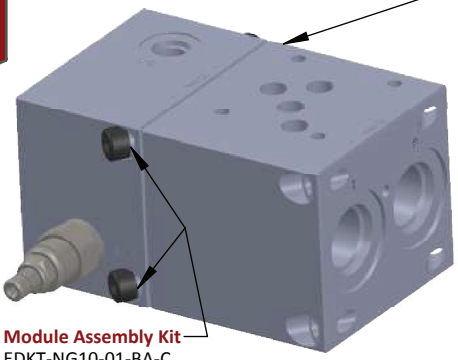
BMOD: BAR Module

BMOD: BAR Module

T-10A Cavity
For Relief Valve
Flow 1 to 2

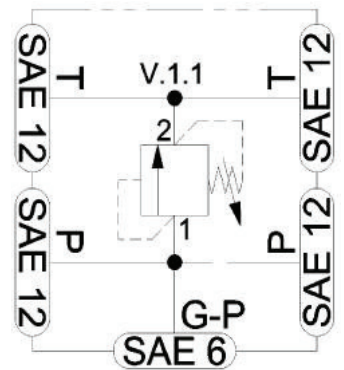


Module Compatible
with NG10 (A Desing)
BAR Manifold Series



Module Assembly Kit
EDKT-NG10-01-BA-C
See Bolt Kit Section
for Details

Consult Factory
for All Other
Dimensional Data



BMOD-	NG10-	003-	A-	**-	XX-	A
<ul style="list-style-type: none"> Product Family- Bar Manifold MODule 	<ul style="list-style-type: none"> Interface - NG10 (D05) 4401-05-04-0-05 	<ul style="list-style-type: none"> Option • 003 T-10A Relief 	<ul style="list-style-type: none"> Port Type- A: SAE • To join SAE to SAE BAR manifolds 	<ul style="list-style-type: none"> Material • AA: Aluminum • 6061T6 • 210 BAR • DA: Ductile Iron • 654512 • 350 BAR 	<ul style="list-style-type: none"> Surface Finish XX: Bare Metal • Special Surface Finish Options Available Upon Special Request 	<ul style="list-style-type: none"> Design Variant A: Design A

Subject to Change: CTLG-01-001A