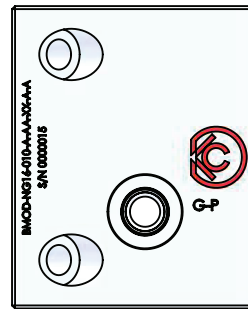
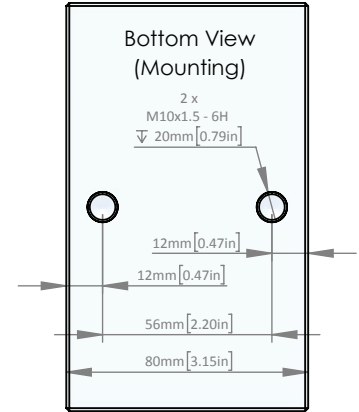
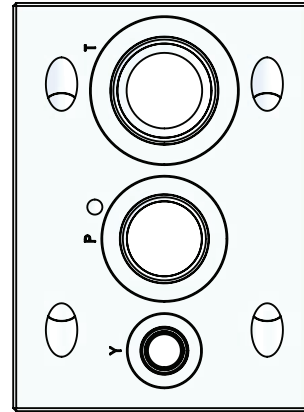
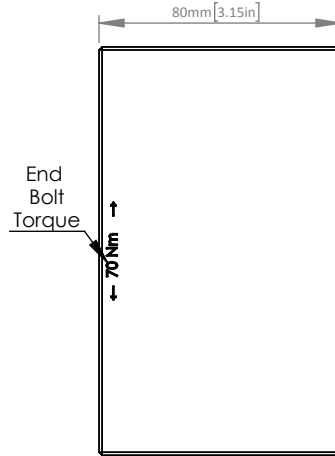
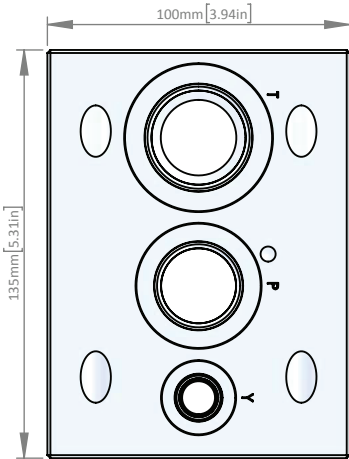
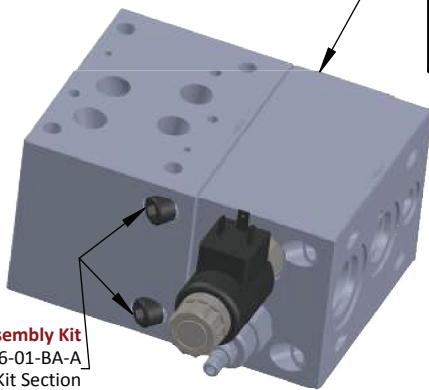


T-3A Cavity
For Relief Valve
Flow 1 to 2

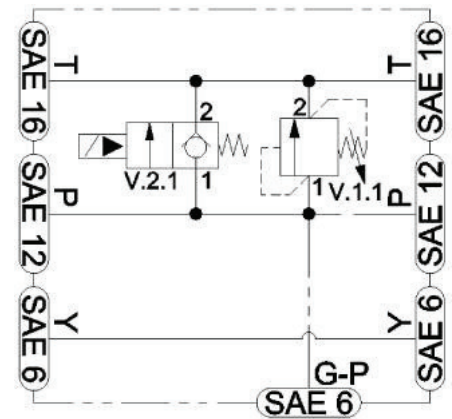
T-5A Cavity
For Solenoid Dump Valve
Flow 1 to 2



Module Compatible
with NG16 (A Desig)
BAR Manifold Series



Module Assembly Kit
EDKT-NG16-01-BA-A
See Bolt Kit Section
for Details



Consult Factory
for All Other
Dimensional Data

<p>BMOD-</p> <ul style="list-style-type: none"> Product Family- Bar Manifold MODule 	<p>NG16-</p> <ul style="list-style-type: none"> Interface - NG16 (D07) 4401-07-07-0-05 	<p>010-</p> <ul style="list-style-type: none"> Option 010 T-3A Relief T-5A Unloader 	<p>A-</p> <ul style="list-style-type: none"> Port Type- A: SAE To join SAE to SAE BAR manifolds 	<p>**-</p> <ul style="list-style-type: none"> Material AA: Aluminum 6061T6 210 BAR DA: Ductile Iron 654512 350 BAR 	<p>XX-</p> <ul style="list-style-type: none"> Surface Finish XX: Bare Metal Special Surface Finish Options Available Upon Special Request 	<p>A</p> <ul style="list-style-type: none"> Design Variant A: Design A
---	--	---	--	--	--	--

BMOD: BAR Module

BMOD: BAR Module