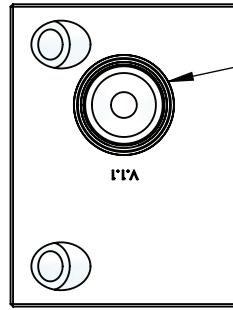
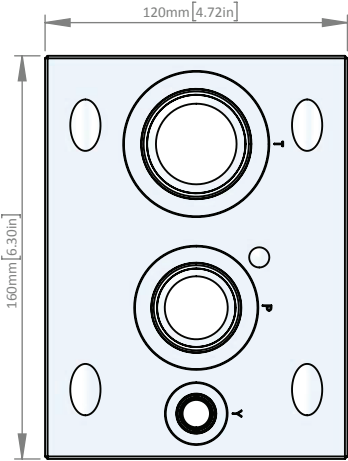
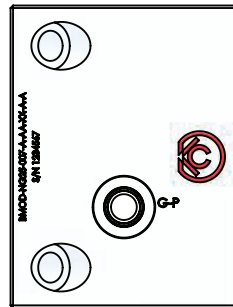
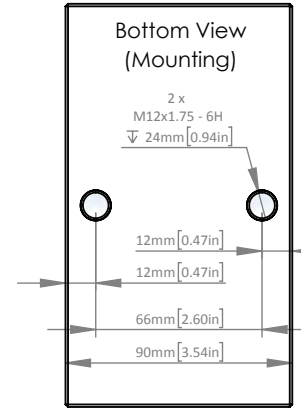
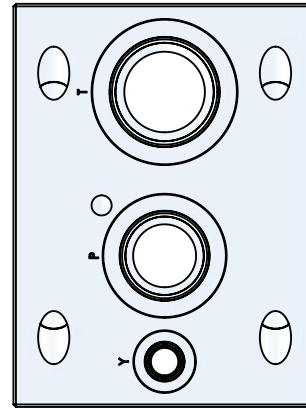
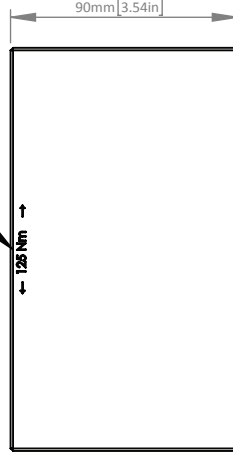




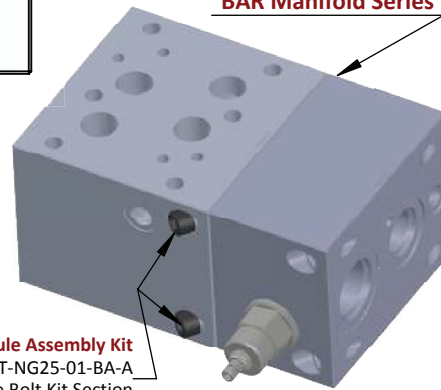
T-16A Cavity  
For Relief Valve  
Flow 1 to 2



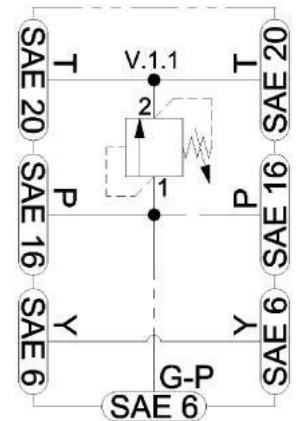
End Bolt  
Torque



Module Compatible  
with NG25 (A Desing)  
BAR Manifold Series



Module Assembly Kit  
EDKT-NG25-01-BA-A  
See Bolt Kit Section  
for Details



Consult Factory  
for All Other  
Dimensional Data

BMOD-	NG25-	007-	A-	**-	XX-	A
<ul style="list-style-type: none"> <li>Product Family- Bar Manifold <b>MOD</b>ule</li> </ul>	<ul style="list-style-type: none"> <li>Interface - <b>NG25</b> (D08) 4401-08-08-0-05</li> </ul>	<ul style="list-style-type: none"> <li>Option <b>007</b> T-16A Relief</li> </ul>	<ul style="list-style-type: none"> <li>Port Type- <b>A:</b> SAE  • To join SAE to SAE BAR manifolds</li> </ul>	<ul style="list-style-type: none"> <li>Material  • <b>AA:</b> Aluminum • 6061T6 • 210 BAR • <b>DA:</b> Ductile Iron • 654512 • 350 BAR</li> </ul>	<ul style="list-style-type: none"> <li>Surface Finish  <b>XX:</b> Bare Metal  • Special Surface Finish Options Available Upon Special Request</li> </ul>	<ul style="list-style-type: none"> <li>Design Variant  <b>A:</b> Design A</li> </ul>

Subject to Change: CTLG-01-001A